

**SINGER**  
**2210**

---

# SINGER\*

---

SINGER FACTORY

MONZA

\* Copyright © 1987 SINGER  
All Rights Reserved Throughout the World

\* A Trademark of THE SINGER COMPANY

---

**List of parts**

---

---

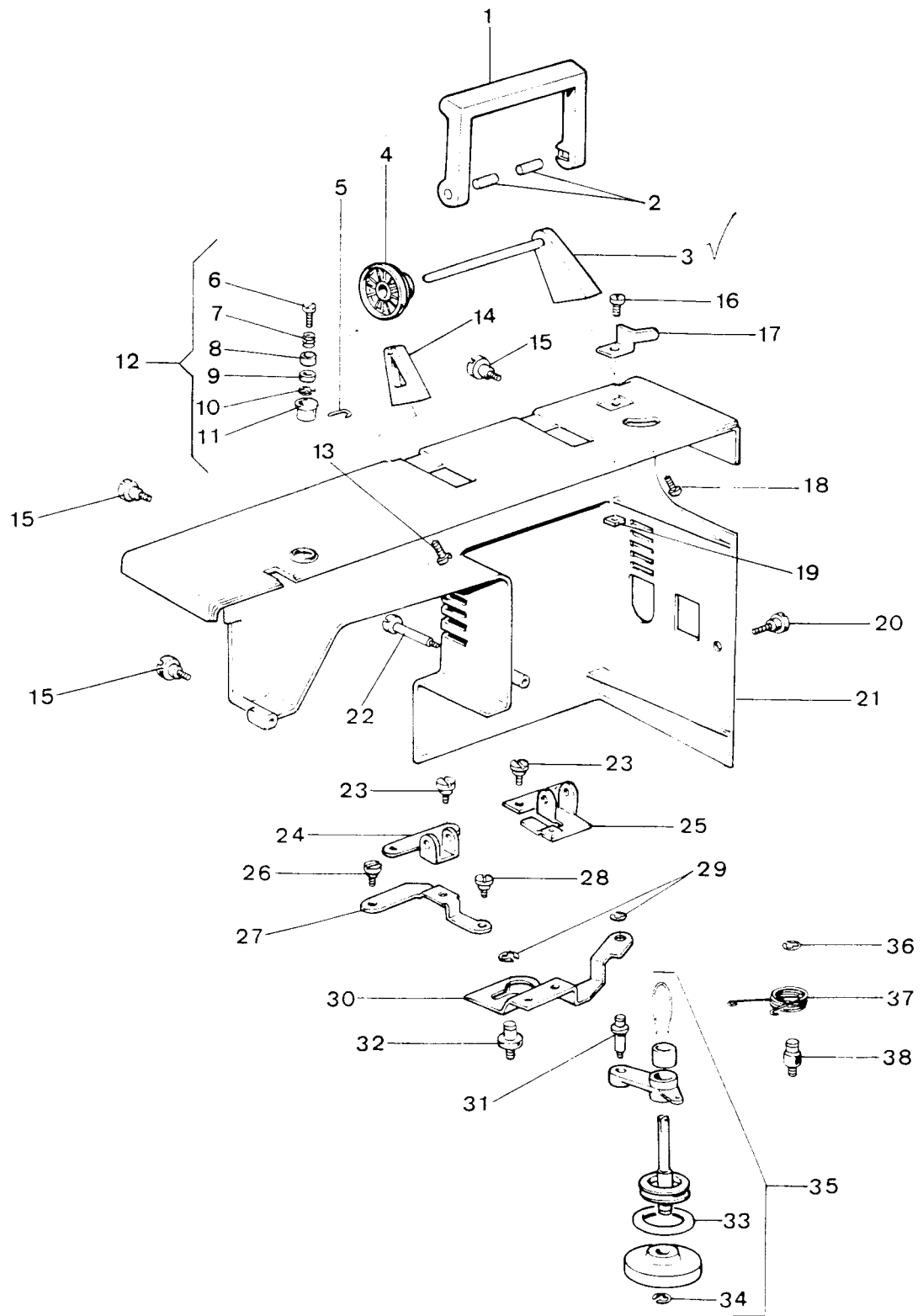
**Sewing Machine Series**

---

**2210**

---

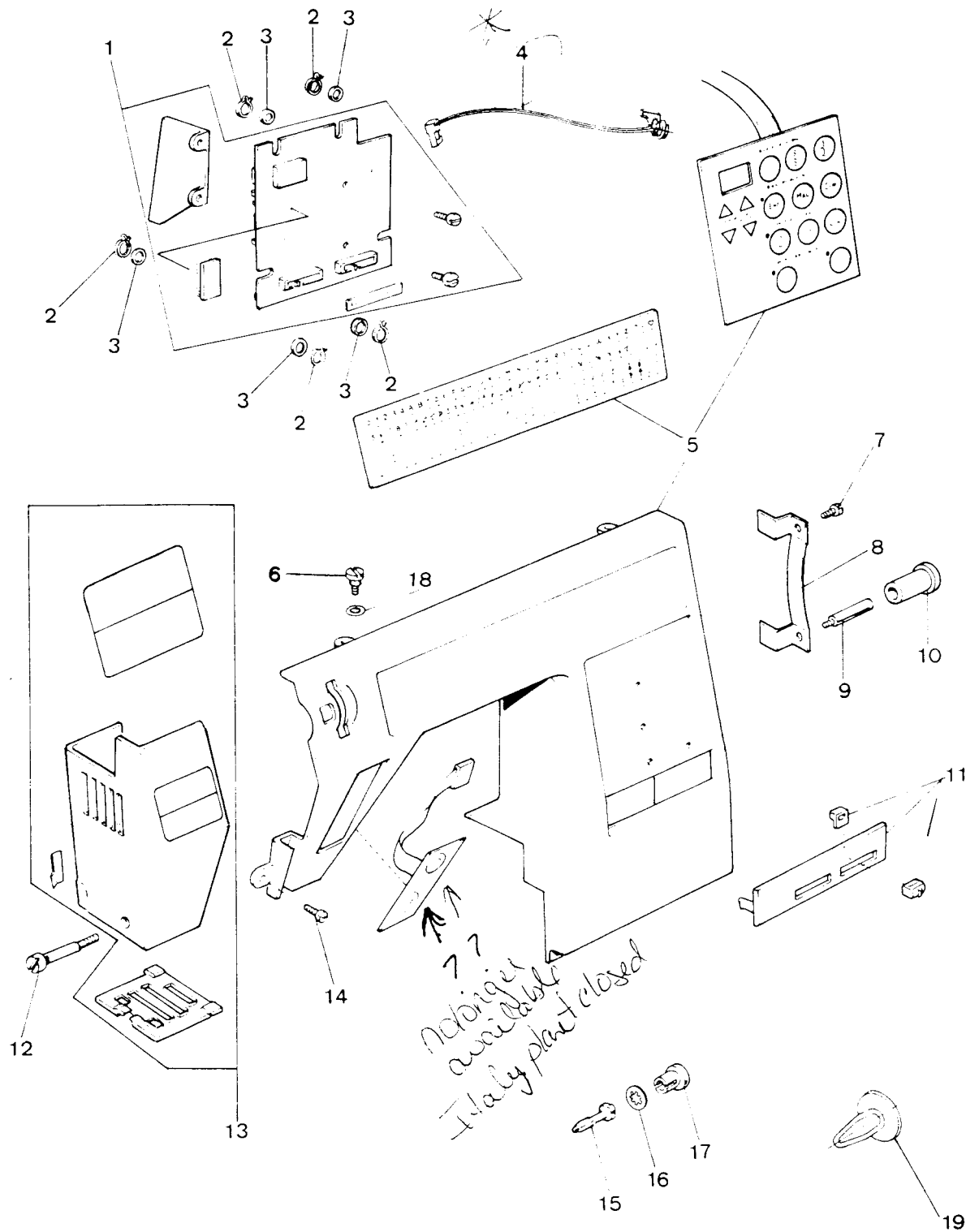
ARM TOP COVER



From the library of: Diamond Needle Corp



# ARM FRONT COVER



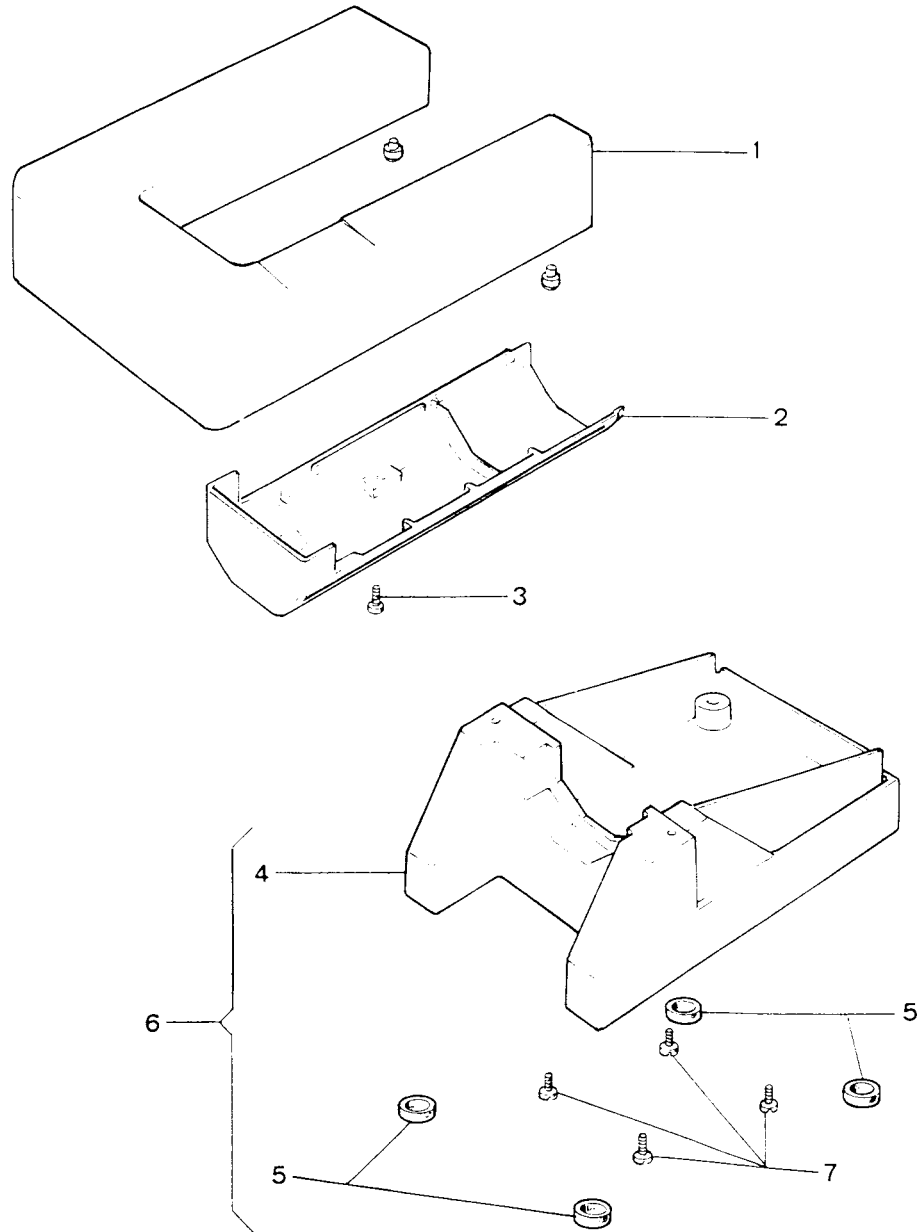
From the library of: Diamond Needle Corp

# LIST OF PARTS FOR MACHINE 2210 SERIES

2

REF. N.	PART. N°	PART DESCRIPTION		2210
1	979432—004	Main control board cpl. (USA-Europe)	<i>Discontinued</i> 988 <del>988</del>	•
	979448—001	Main control board cpl. (Japan)		•
2	979087—001	Main board self-locking ring (5)		•
3	313578	Main board washer (5)		•
4	979337—001	Control board to foot control jack harness		•
5	423197—451	Arm cover front with membrane assembly (USA-Canada)		•
	423197—452	Arm front cover with membrane assembly (Europe)		•
	423197—453	Arm front cover with membrane assembly (Japan)		•
6	139910	Arm cover screw		•
7	139943—803	Heat sink clamp screw		•
8	979384—001	Heat sink clamp		•
9	423105	Heat sink and arm cover (back) screw		•
10	423211—900	Front cover spacer (white)		•
11	423100—451	Control panel and knob assembly		•
11	423230—451	Control panel and knob assembly (Japan)		•
12	514727—451	Face plate screw		•
13	423224—451	Face plate assembly "SINGER Sonata"		•
	423224—452	Face plate assembly "SINGER Strata"		•
	422224—453	Face plate assembly		•
14	139910	Arm cover screw		•
15	423109	Override blocking dial pin		•
16	314477	Override blocking dial retaining ring		•
17	423136—451	Override balance dial (hand wheel side)		•
18	37969	Arm cover screw washer		•
19	423238	Arm front cover plug (Japan)		•

From the library of: Diamond Needle Corp

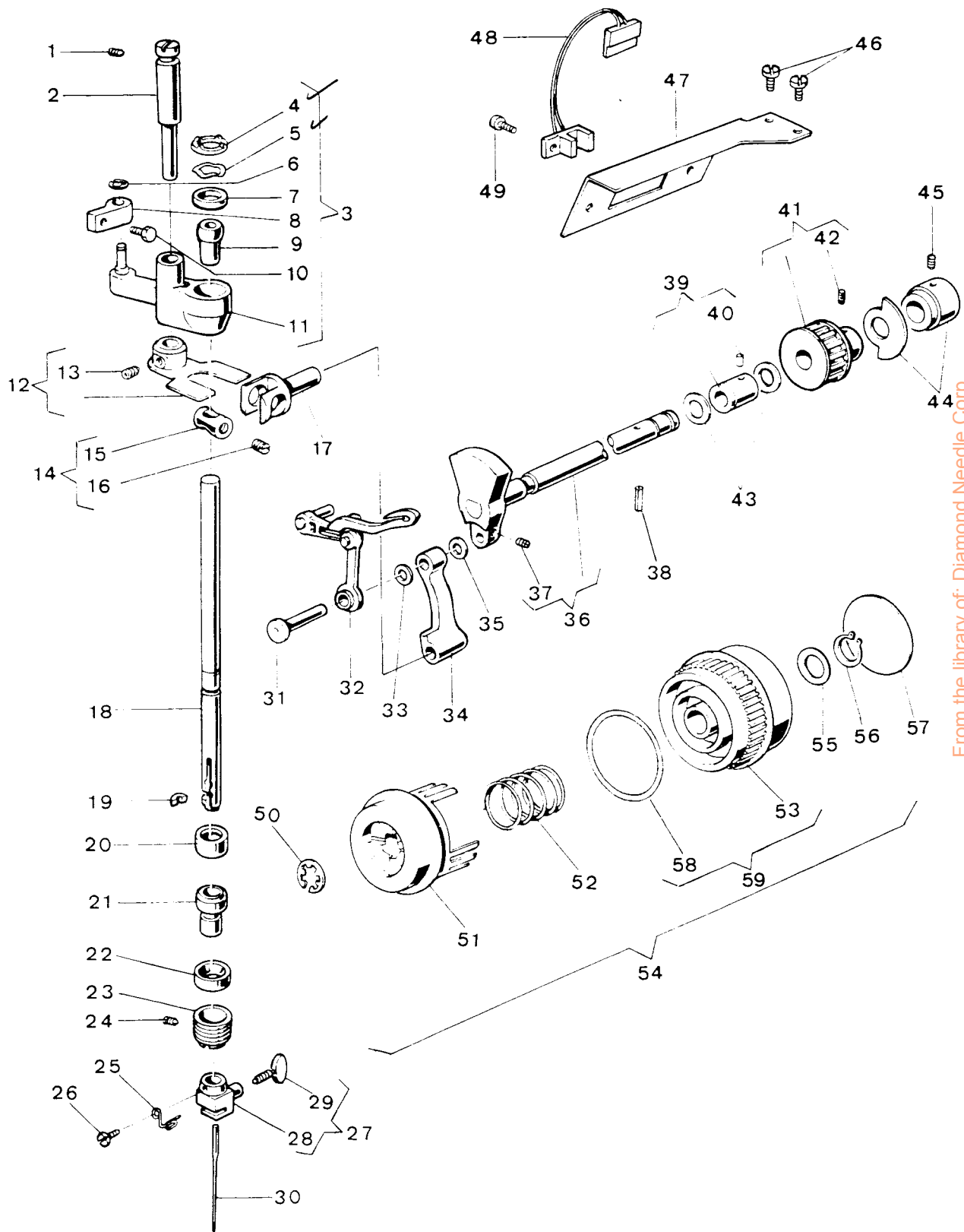


From the library of: Diamond Needle Corp





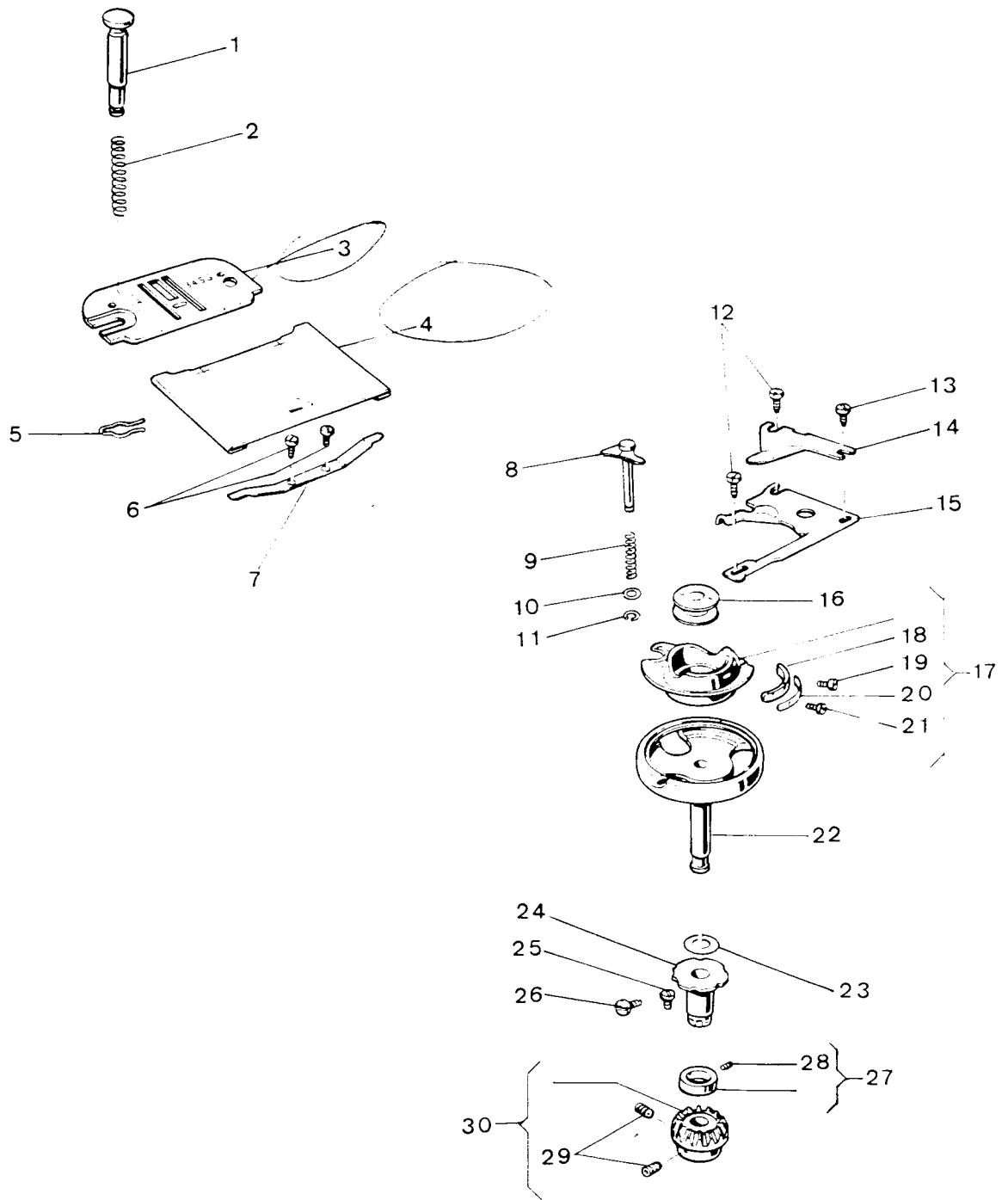
# NEEDLE BAR AND DRIVE MECHANISM



From the library of: Diamond Needle Corp



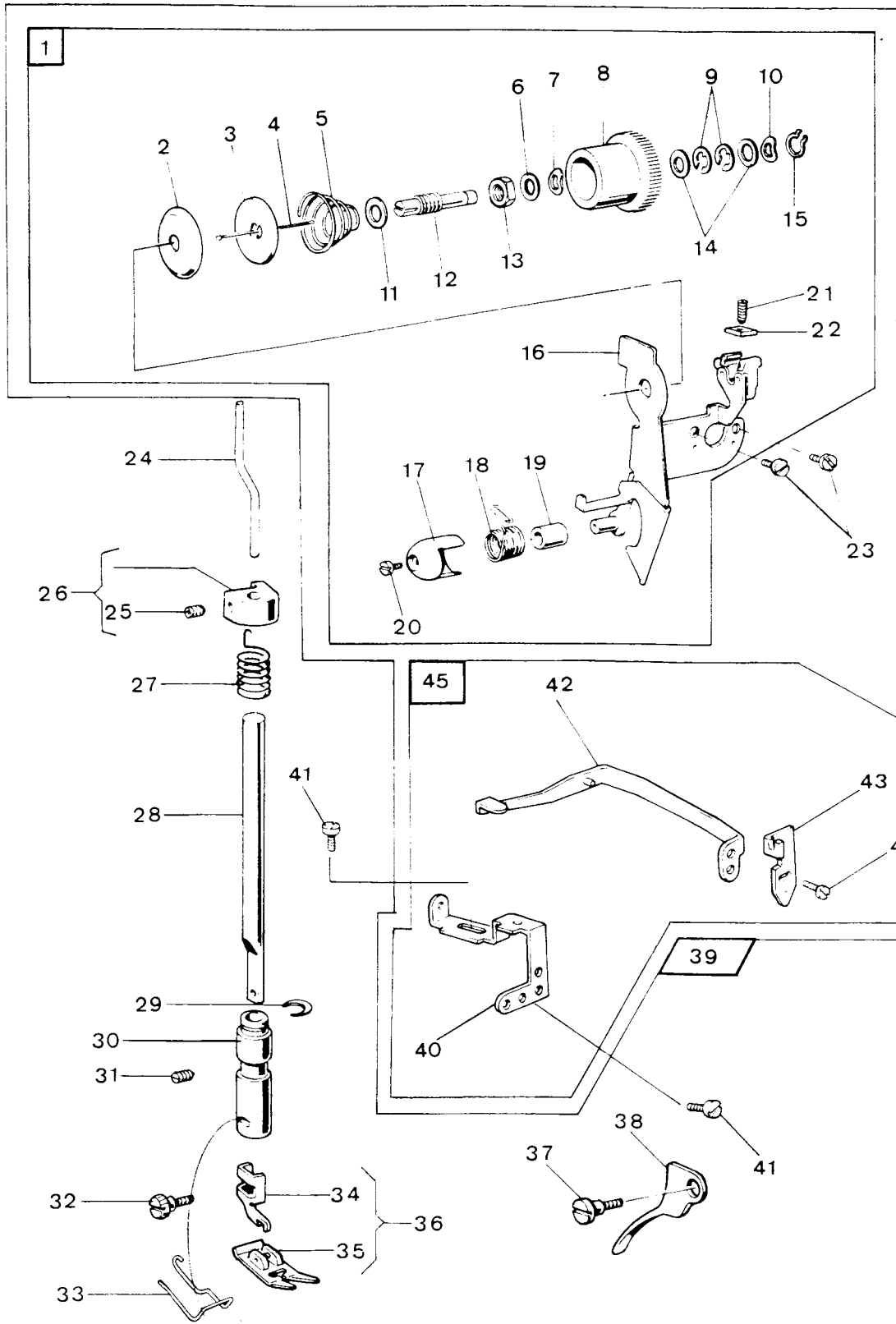
NEEDLE HOOK AND PLATE



From the library of: Diamond Needle Corp



# PRESSER BAR AND NEEDLE TENSION SYSTEM



From the library of: Diamond Needle Corp

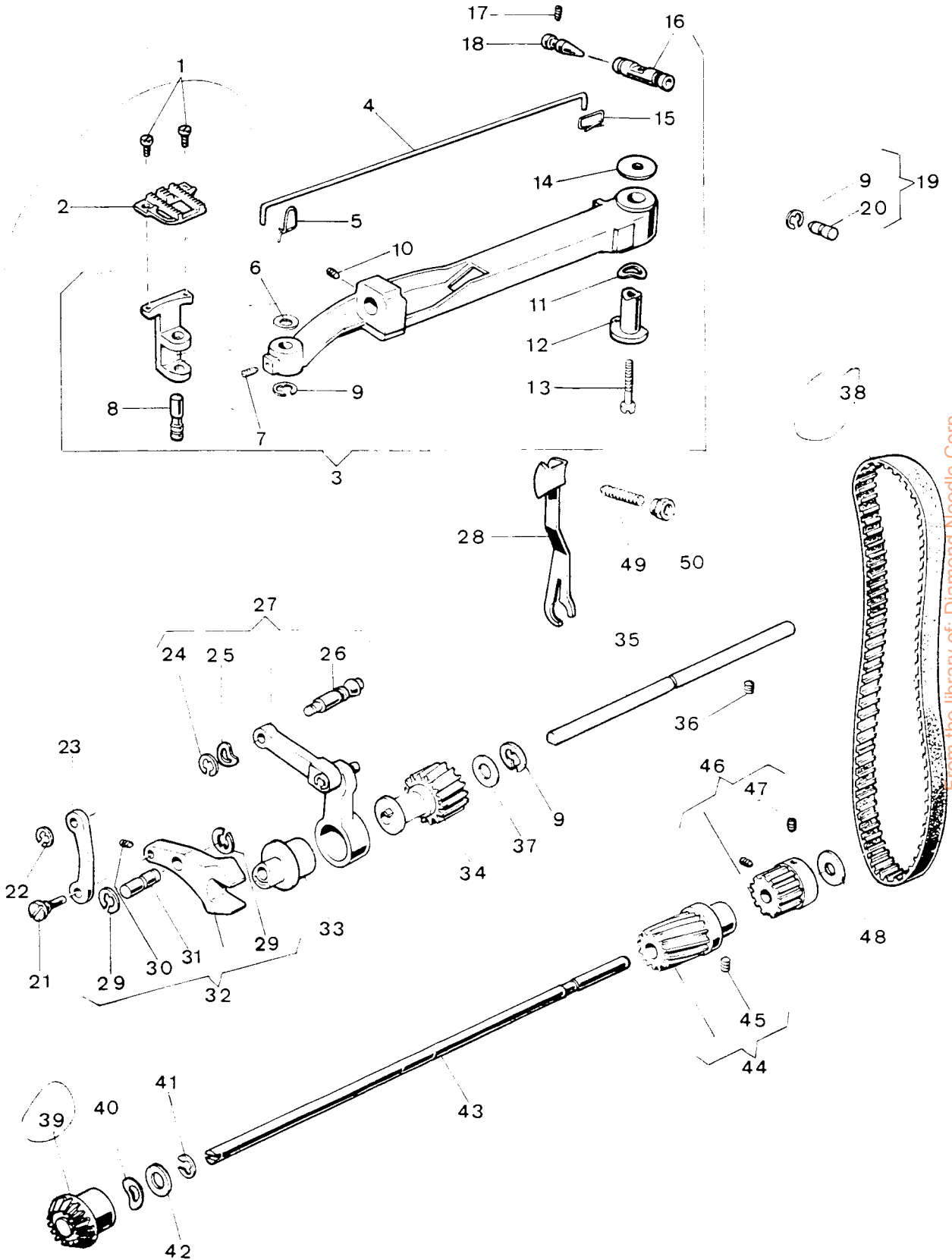
# LIST OF PARTS FOR MACHINE 2210 SERIES

6

REF. N.	PART. N°	PART DESCRIPTION	2210
1	423084	Tension cpl.	•
2	2102	Tension disc	•
3	413554	Tension spring cup	•
4	413561	Tension releasing pin	•
5	423225	Tension spring	•
6	421988	Tension dial retaining washer	•
7	421990—001	Tension dial wave washer	•
8	423081—451	Tension dial hot stamped	•
9	313487	Tension dial retaining ring	•
10	543837—001	Tension dial wave washer	•
11	423266	Thread take-up stud thrust washer	•
12	423082—900	Tension stud	•
13	423265	Tension indicator adaptor nut	•
14	421988	Tension dial retaining washer	•
15	423125—451	Tension dial wave washer retaining ring	•
16	423006—900	Tension disc thread guide fork	•
17	181861	Thread take-up spring regulator	•
18	181872	Thread take-up tension spring	•
19	182077—900	Tension spring positioning collar	•
20	544004	Thread take-up spring regulator set screw	•
21	514645—451	Tension stud set screw	•
22	53640	Tension stud set screw nut	•
23	113367—451	Tension thread guide set screw	•
24	423009—900	Tension releasing pin	•
25	354420—451	Set screw	•
26	44444—001	Presser bar guide bracket cpl	•
27	447583	Presser bar spring	•
28	447582—451	Presser bar	•
29	447585	Retaining ring	•
30	423320	Presser bar bushing	•
31	141803	Bushing set screw	•
32	354135—451	Presser foot thumb screw	•
33	116863	Finger guard (Europe only)	•
34	155964—892	Presser bar shank	•
35	447806—451	Presser foot zig-zag	•
36	447808	Presser foot cpl.	•
37	141846	Hinge screw	•
38	423049—451	Presser bar lifter	•
39	423267—451	Tension module and bracket complete	•
40	423050—900	Tension bracket	•
41	354799—451	Tension bracket set screw	•
42	423012—900	Tension releasing lever assembly	•
43	423013—900	Tension releasing adjustment assembly	•
44	113348—451	Tension releasing adjustment bracket set screw	•
45	423051—451	Tension bracket with tension releasing adjustment ass y	•

From the library of: Diamond Needle Corp

ALPHA FEED AND DRIVE MECHANISM



From the library of: Diamond Needle Corp

# LIST OF PARTS FOR MACHINE 2210 SERIES

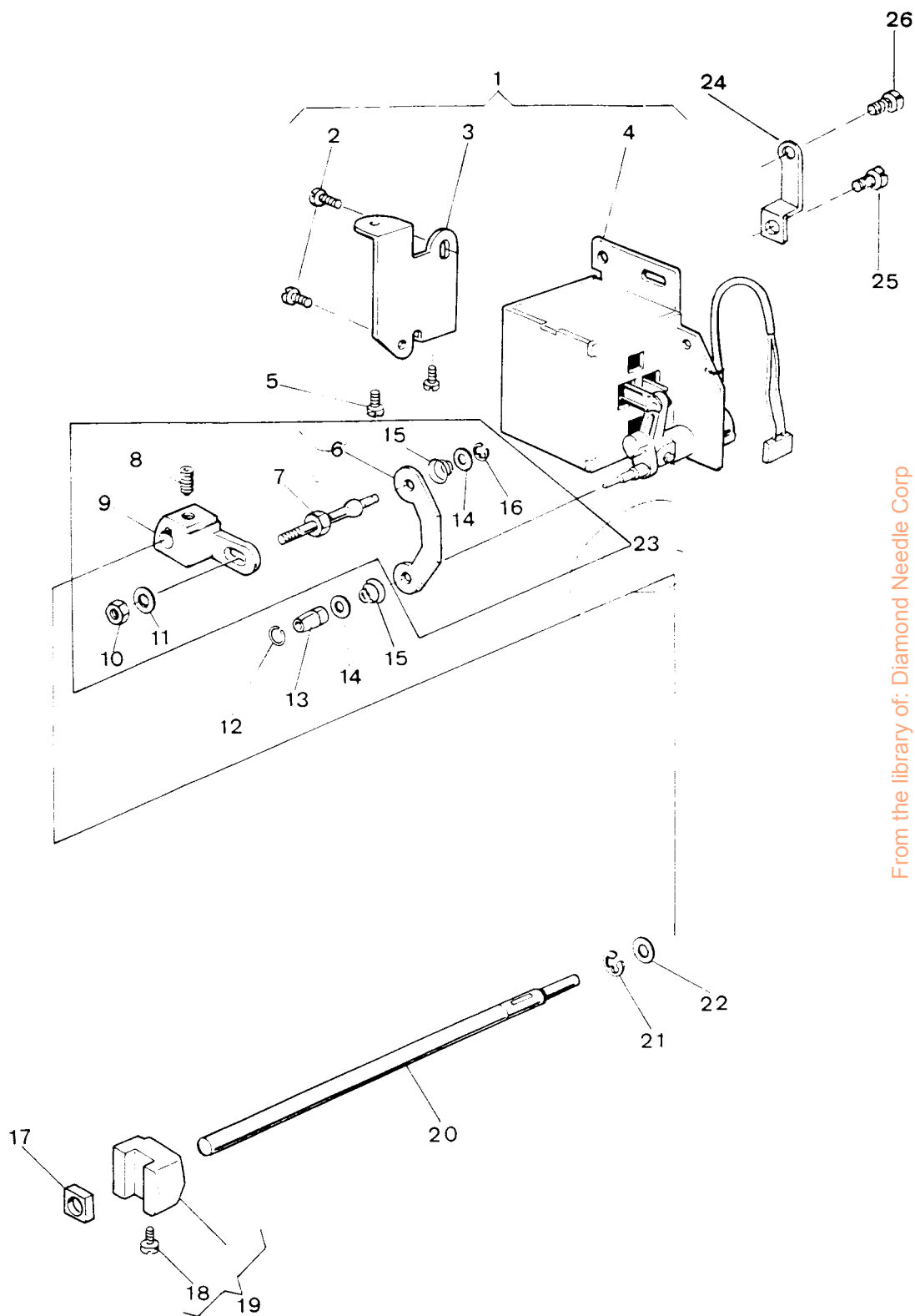
7

REF. N.	PART. N°	PART DESCRIPTION	2210
1	141920	Feed dog screw (2)	•
2	447581	Feed dog	•
3	422385	Feed bar cpl.	•
4	422335—001	Compensating link	•
5	422561—000	Retaining spring	•
6	511210	Washer	•
7	544100	Screw	•
8	511052	Stud	•
9	511213	Retaining ring	•
10	354983—451	Set screw	•
11	511211	Washer	•
12	422340—001	Bushing	•
13	514744—451	Feed bar guide pin screw	•
14	422338	Washer	•
15	422337—000	Retaining spring	•
16	422383	Feed bar guide pin	•
17	514556—451	Set screw	•
18	507917	Feed bar guide pin centre (black)	•
19	502310	Feed bar guide pin centre cpl. (front)	•
20	502309	Feed bar guide pin centre (front)	•
21	511056	Hinge stud (eccentric)	•
22	507063	Retaining ring	•
23	511016	Feed lifting fork connection	•
24	44472	Retaining ring	•
25	422368	Washer	•
26	422345	Hinge stud (eccentric)	•
27	422347	Drive connection	•
28	421875	Belt tension adjuster lever	•
29	511213	Retaining ring	•
30	514685—451	Set screw	•
31	511057	Hinge stud	•
32	103775	Feed lifting fork cpl.	•
33	447899	Feed eccentric	•
34	422325	Feed drive shaft gear cpl.	•
35	422324	Feed drive shaft	•
36	514556—451	Set screw	•
37	116073	Drive shaft washer	•
38	423107—001	Drive shaft belt	•
39	422395	Drive shaft bevel gear	•
40	507722	Rotating hook drive shaft spring washer	•
41	511213	Retaining ring	•
42	116073	Drive shaft washer	•
43	422394	Rotating hook drive shaft	•
44	422408	Drive shaft gear cpl.	•
45	514556—451	Set screw	•
46	352871	Drive shaft gear	•
47	354774—451	Set screw	•
48	421356	Damping washer	•
49	514731	Belt tension adjustment lever screw	•
50	514732-451	Belt tension adjustment lever lock nut	•

From the library of: Diamond Needle Corp



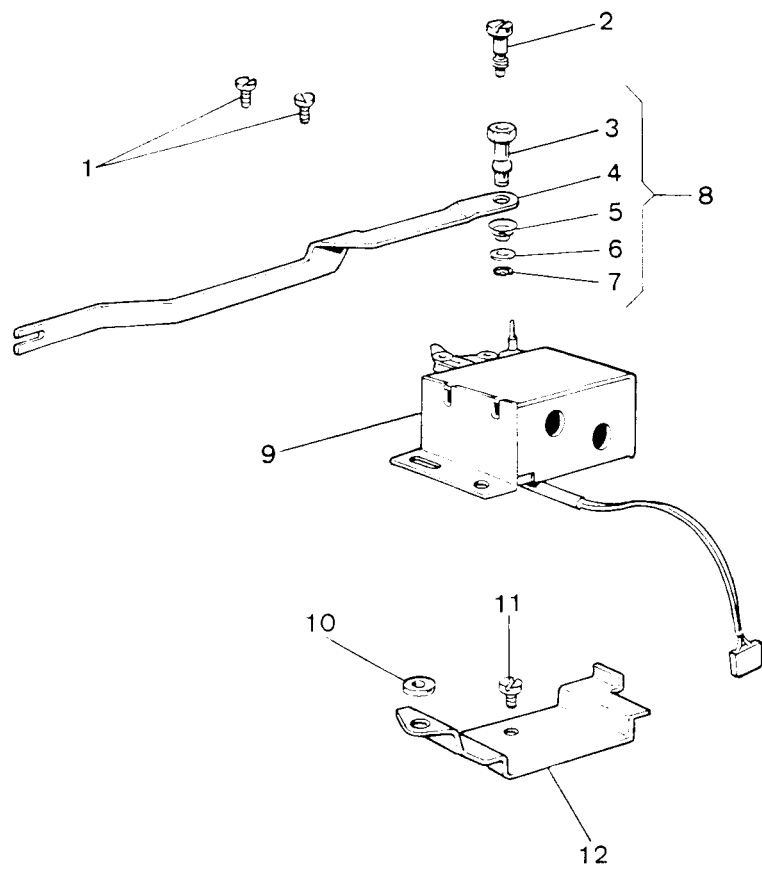
# FEED DRIVE LINEAR MOTOR



From the library of: Diamond Needle Corp

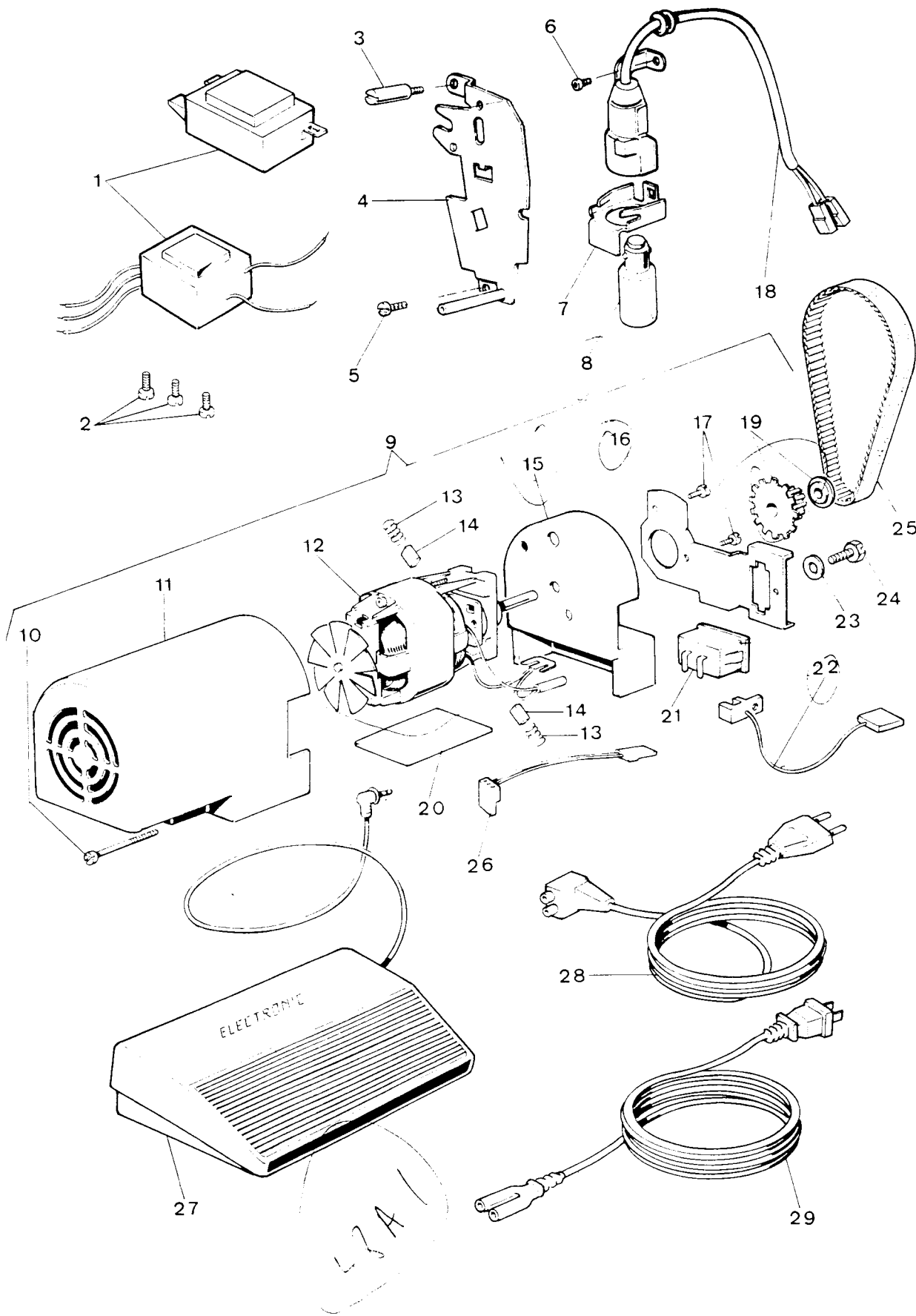


# BIGHT DRIVE LINEAR MOTOR



From the library of: Diamond Needle Corp





From the library of: Diamond Needle Corp

# LIST OF PARTS FOR MACHINE 2210 SERIES

10

REF. N.	PART. N°	PART DESCRIPTION	2210
1	979341—001	Transformer cpl. - 120 V (USA-Canada)	• 2/10/97
	979341—002	Transformer cpl. - 220 V (Europe)	
	979341—003	Transformer cpl. - 240 V (UK-Australia)	
	979341—004	Transformer cpl. - 100 V (Japan)	
2	791410—115	Transformer mounting screw	•
3	423206—900	Rear cover and bracket stud	•
4	422313	Pressure regulating knob bracket	•
5	141913	Bracket screw	•
6	421712—451	Light screw	•
7	421967	Heat sink	•
8	194120—019	Bulb 120 V-15 W (USA-Canada)	•
	194120—020	Bulb 220 V - 15 W (Europe)	•
	194120—021	Bulb 240 V - 15 W (UK-Australia)	•
	549887—003	Bulb 110 V - 15 W (Japan)	•
9•	979366—001	Motor cpl. (For Europe)	•
	979366—002	Motor cpl. (UK)	•
	979366—003	Motor cpl. (USA-Canada)	•
	979366—006	Motor cpl. (Japan)	•
	979366—007	Motor cpl. (Australia)	•
10•	604016—001	Dust cover screw	•
11•	979380—001	Dust cover motor	•
12•	979367—001	Motor module (Europe)	•
	979367—002	Motor module (UK-Australia)	•
	979367—003	Motor module (USA-Canada)	•
	979367—005	Motor module (Japan)	•
13•	619436—001	Brush spring (2)	•
14•	619435—004	Brush (2)	•
15•	979402—001	Commutator end housing	•
16•	979379—001	Motor mounting bracket	•
17•	618634—004	Motor bracket set screw (2)	•
18•	979345—901	Motor light cpl. (Europe-UK)	•
	979345—902	Motor light cpl. (USA-Canada)	•
	979345—903	Motor light cpl. (Japan)	•
	979345—904	Motor light cpl. (Australia)	•
19•	979378—001	Motor belt pulley assembly	•
20•	979334—003	Motor P.C. board cpl. (220-240 V - Europe UK-Australia)	•
	979382—003	Motor P.C. board cpl. (120 V-USA/Canada)	•
	979383—003	Motor P.C. board cpl. (100 V-Japan)	•
21•	979377—001	Motor switch	•
22•	979340—001	Motor speed sensor harness cpl.	•
23	604018—002	Washer	•
24	604020—002	Screw	•
25	353518—001	Motor belt	•
26	979339—001	Motor connection harness	•
27•	979350—001	Foot controller cpl. (For all territories)	•
28	979430—001	Appliance (Pipe) coupler (Europe)	•
	979430—002	Appliance (Pipe) coupler (USA-Canada)	•
	979430—003	Appliance (Pipe) coupler (UK)	•
	979430—004	Appliance (Pipe) coupler (Australia)	•
29	411942—001	Appliance coupler (Japan only)	•

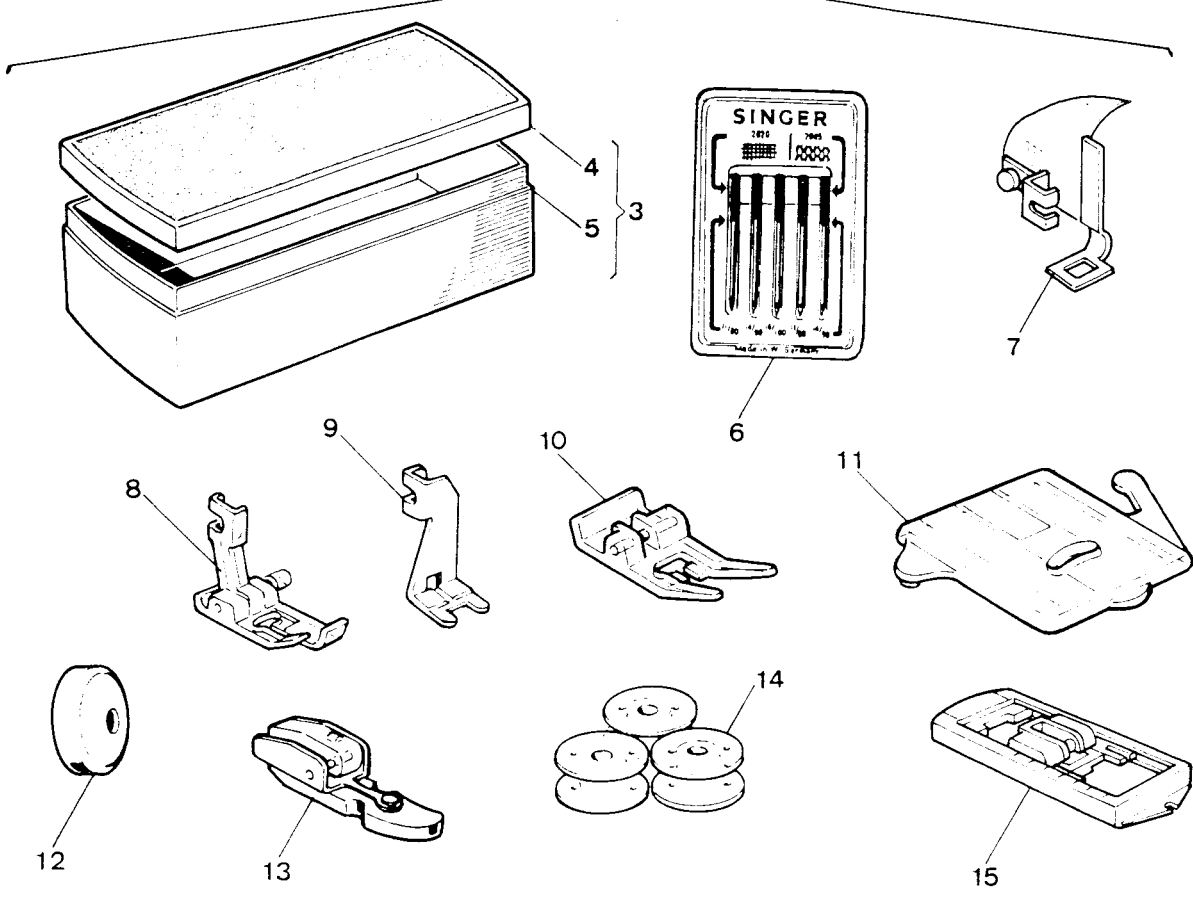
• Parts to be ordered directly from Bonnières

From the library of: Diamond Needle Corp

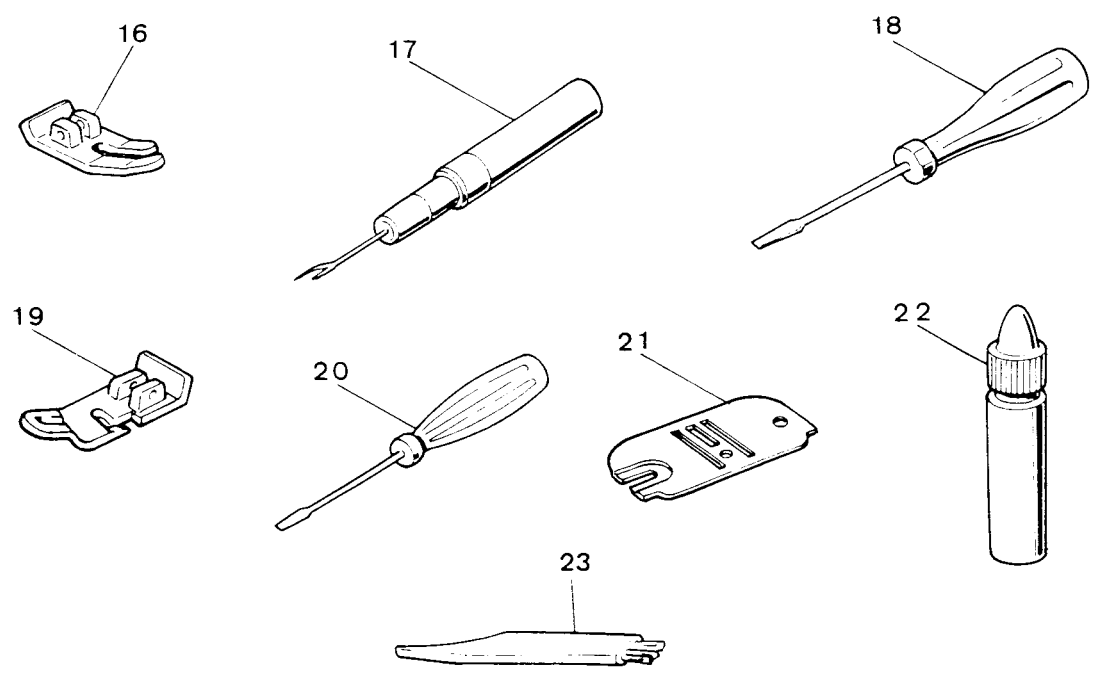
ATTACHMENT SET

- 1 { 3 · 4 · 5 · 6 · 7
- 8 · 9 · 10 · 11
- 12 · 13 · 14 · 15

- 2 { 3 · 4 · 5 · 6 · 7 · 8 · 9
- 10 · 11 · 12 · 13 · 14
- 15 · 16 · 17 · 18
- 19 · 20 · 21 · 22



ADDITIONAL ACCESSORIES (For Japan only)



From the library of: Diamond Needle Corp

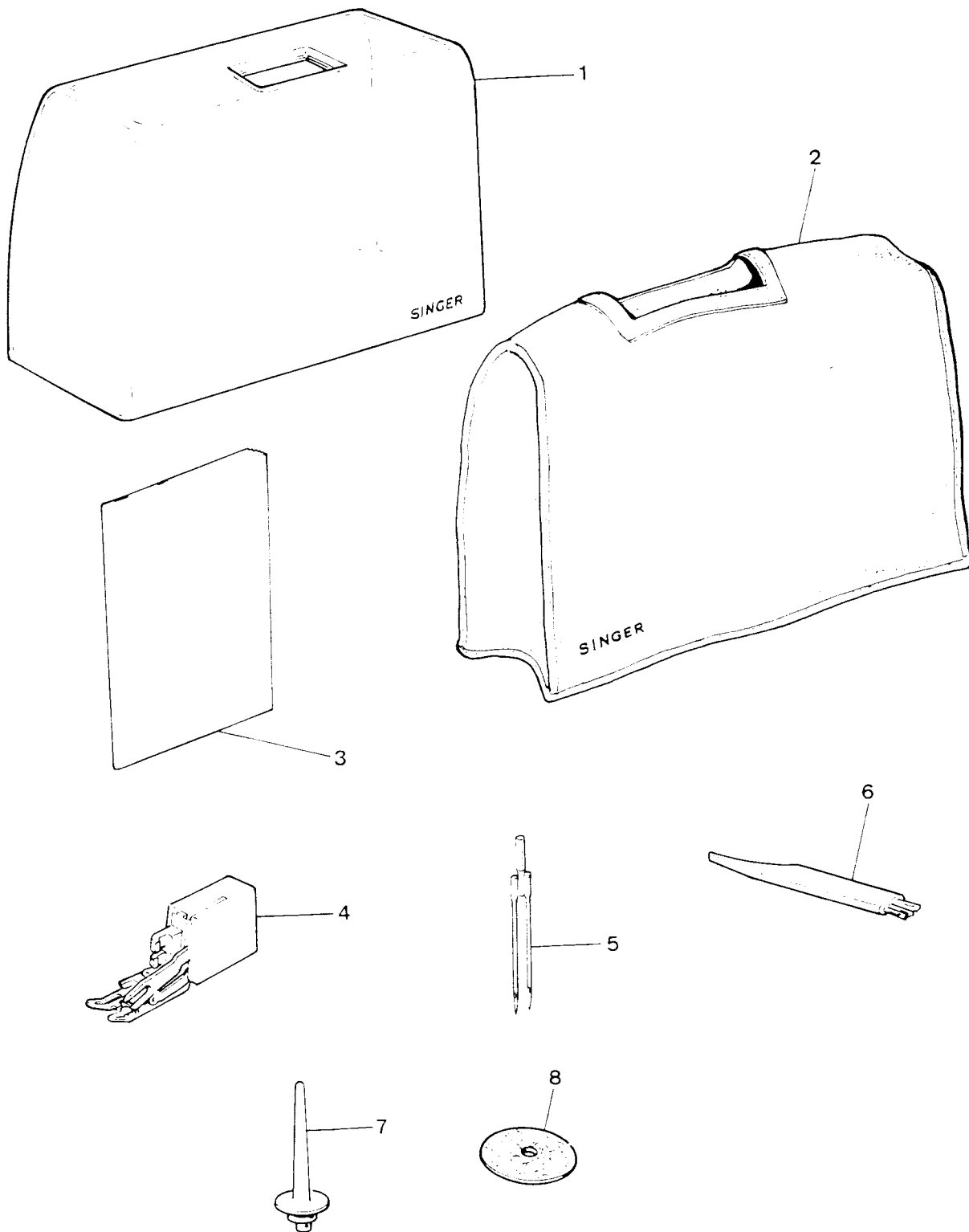
# LIST OF PARTS FOR MACHINE 2210 SERIES

11

REF. N.	PART. N°	PART DESCRIPTION	2210
1	423131	Attachment set	•
2	423193	Attachment set (For Japan only)	•
3	421742—452	Attachment box	•
4	421743—452	Attachment box cover	•
5	421744—452	Attachment box case	•
6	353364	Needle pack (plastic) Containing: Cat. 2020 - size 14 and 16 / Cat. 2045 - size 14 and 11	•
7	423239	Darning and embroidery presser foot	•
8	179947—451	Blind hem stitch presser foot	•
9	179911	Button sewing presser foot	•
10	446492—451	Special purpose foot	•
11	381459—001	Snap-in feed cover plate	•
12	507664—459	Spool pin lead off (small)	•
13	507836	Snap-on zipper foot	•
14	172336	Bobbin (transparent plastic) (2)	•
15	423200—451	Buttonhole presser foot	•
16	153267	Straight stitch presser foot (For Japan only)	•
17	546357	Buttonhole cutter and seam ripper (For Japan only)	•
18	352161	Screwdriver (large) (For Japan only)	•
19	161956	Overedge presser foot (For Japan only)	•
20	352160	Screwdriver (small) (For Japan only)	•
21	423134	Straight stitch throat plate (For Japan only)	•
22	352162	Oil container (For Japan only)	•
23	546358	Lint brush (for Japan only)	•

From the library of: Diamond Needle Corp





From the library of: Diamond Needle Corp

